

Actuator material: PolyamidePA, stainless steel

Body material: 304, 316, 316L

Spool material: 304, 316, 316L

Seat material: PTFE, F46

PTFE: -30° ~180°C

F46: -30° ~220°C

Ambient temp.: -30° ~80°C

Controlling pressure: 0.3~0.8BMPa

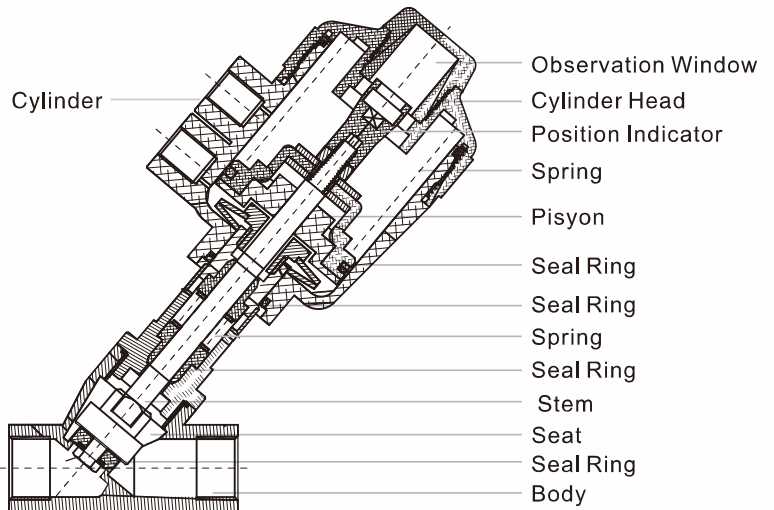
Working pressure: 0~1.6MPa

Connection type: Thread

Control type: Single acting, Double acting

Applicable medium: water neutral gas or liquid, alcohol, oil, organic solvent, steam.

Optional accessory: Solenoid valve, limit switch box, positioner, etc.



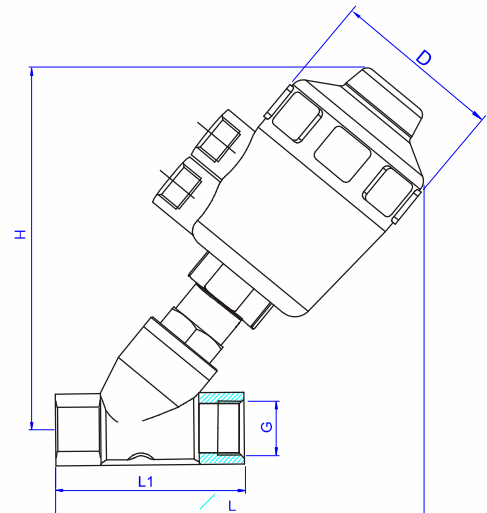
Technical Parameters

Size	Inner Diameter	Kv Valve	The Cylinder Bore	The Max Pressure Differential	Air Supply
DN10	10	3.7	50	0-16bar	4-7bar
DN15	15	4.2	50		
DN20	20	8	50		
DN25	25	19	50		
DN32	32	27.5	63		
DN40	40	42	63		
DN50	50	55	63		
DN65	65	90	80		
DN80	80		80		



Outline Dimensional Drawing

Size	G	L	L1	D	H	重量
DN10	3/8"	135	65	64	110	0.8
DN15	1/2"	173	85	64	137	1.0
DN20	3/4"	178	95	64	145	1.2
DN25	1"	182	105	64	150	1.5
DN32	1-1/4"	220	120	80	185	2.6
DN40	1-1/2"	228	130	80	192	4.5
DN50	2"	235	150	80	198	6.3
DN65	2-1/2"		185			
DN80	3"		220			



Technical Parameters

Actuator material: Stainless Steel

Body material: 304, 316, 316L

Stem material: 304, 316, 316L

Seat material: PTFE, F46

PTFE: -30° ~180°C

F46: -30° ~220°C

Ambient temp.: -30° ~80°C

Controlling pressure: 0.3~0.8BMPa

Working pressure: 0-1.6MPa

Connection type: Thread

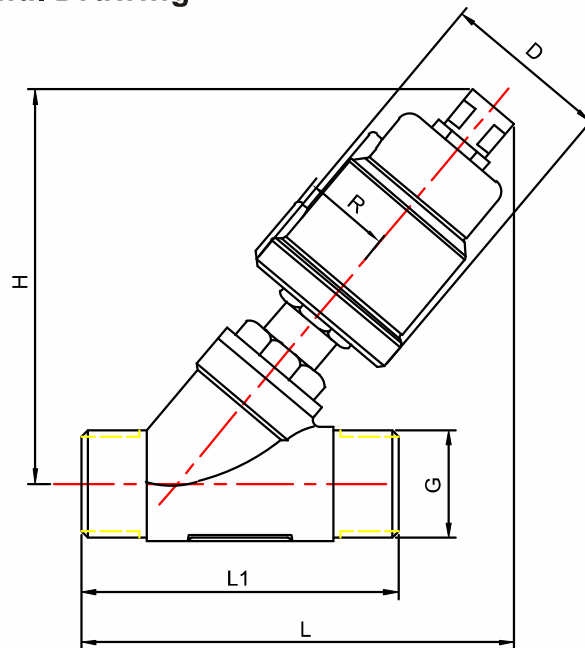
Control type: Single acting, Double acting

Applicable medium: water neutral gas or liquid, alcohol, oil, organic solvent, steam.

Optional accessory: Solenoid valve, limit switch box, positioner, etc.



Outline Dimensional Drawing



Size	D	L	L1	H	D	R	T	重量
DN15	1/2"	133	68	126	62	33	11	1.1
DN20	3/4"	137	75	131	62	33	14	1.2
DN25	1"	151	90	142	62	33	15	2.2
DN32	1-1/4"	188	115	175	76	42	17	2.7
DN40	1-1/2"	190	115	175	76	42	17	4.8
DN50	2"	205	135	195	76	42	20	6.8

Technical Parameters

Actuator material: PolyamidePA, stainless steel

Body material: 304, 316, 316L

Spool material: 304, 316, 316L

Seat material: PTFE, F46

Fluid temperature: -20°C-+180°C

Ambient temperature: -10°C-+80°C

Controlling pressure: 0.3~0.8BMPa

Working pressure: 0-1.6MPa

Connection type: Welded

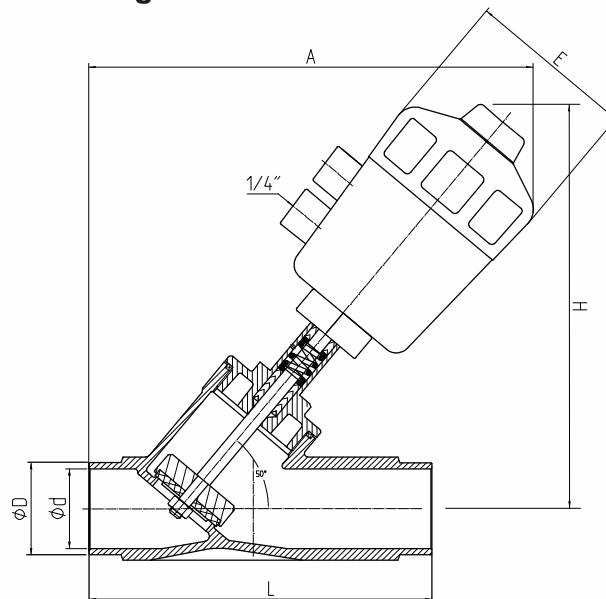
Control type: Single acting, Double acting

Applicable medium: water neutral gas or liquid, alcohol, oil, organic solvent, steam.

Optional accessory: Solenoid valve, limit switch box, positioner, etc.



Outline Dimensional Drawing



Size	Inch	d	D	L	H	A	E	Actuator
DN15	1/2"	15.5	19.5	100	137	175	64	50
DN20	3/4"	21.5	26.5	120	145	180	64	50
DN25	1"	28.5	32.5	140	185	215	80	63
DN32	1-1/4"	33	38.5	155	210	235	80	63
DN40	1-1/2"	46	52	170	260	245	80	63
DN50	2"	57	64	190	300	325	100	80
DN65	2-1/2"	68	77	200	340	355	100	80
DN80	3"	82	92	220	385	400	126	100

Actuator material: PolyamidePA, stainless steel

Body material: 304, 316, 316L

Spool material: 304, 316, 316L

Seat material: PTFE, F46

PTFE: -30° ~180°C

F46: -30° ~220°C

Ambient temp.: -30° ~80°C

Working pressure: 0-1.6MPa

Connection type: Flange

Control type: Single acting, Double acting

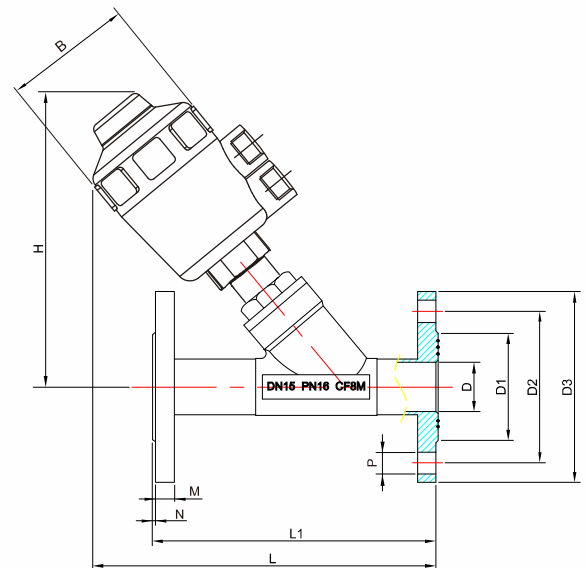
Applicable medium: water neutral gas or liquid, alcohol, oil, organic solvent, steam.

Optional accessory: Solenoid valve, limit switch box, positioner, etc.



Technical Parameters

Size	Inner Bored	KV	Actuator	Working Pressure	Min Control Pressure
DN10	10	3.7	50	0-16bar	4.0bar
DN15	15	4.2	50		2.7bar
DN20	20	8	50		2.7bar
DN25	25	19	50		2.0bar
DN32	32	27.5	63		2.0bar
DN40	40	42	63		2.0bar
DN50	50	52	63		2.0bar
DN65	65	77	80		1.6bar



Outline Dimensional Drawing

Size	Inch	D	D1	D2	D3	B	M	N	L1	L	H	P	重量
DN15	1/2"	16	45	65	95	64	14	2	120	180	137	4-∅14	
DN20	3/4"	20	56	75	105	64	14	2	130	185	145	4-∅14	
DN25	1"	25	65	85	115	80	14	2	140	210	173	4-∅14	
DN32	1-1/4"	32	78	100	140	80	16	2	150	240	210	4-∅18	
DN40	1-1/2"	39	84	110	150	80	16	3	180	245	260	4-∅18	
DN50	2"	50	100	125	165	100	16	3	195	295	300	4-∅18	
DN65	2-1/2"	66	120	145	185	126	18	3	230	320	315	4-∅18	
DN80	3"	80	135	160	200	126	18	3	250	330	330	8-∅18	
DN100	4"	100	155	180	215	126	18	3	280	360	350	8-∅18	

Technical Parameters

Actuator material: Stainless Steel

Body material: 304, 316, 316L

Stem material: 304, 316, 316L

Seat material: PTFE, F46

PTFE: -30° ~180°C

F46: -30° ~220°C

Ambient temp.: -30° ~80°C

Controlling pressure: 0.3~0.8BMPa

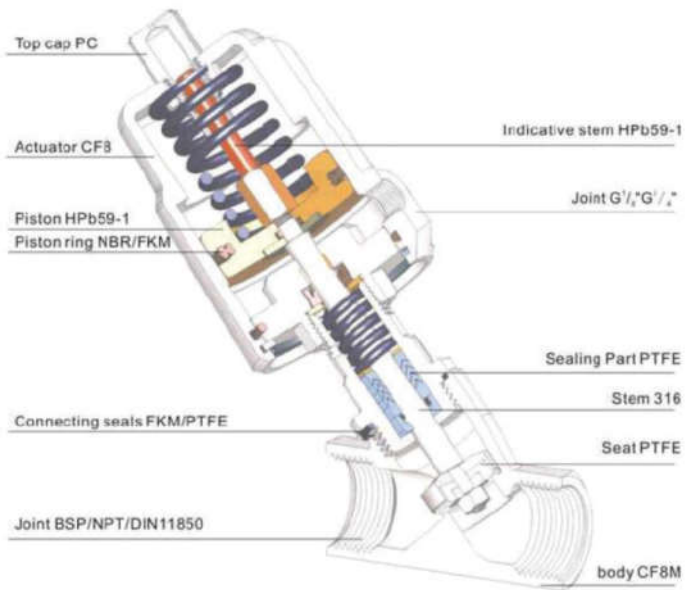
Working pressure: 0-1.6MPa

Connection type: Thread

Control type: Single acting, Double acting

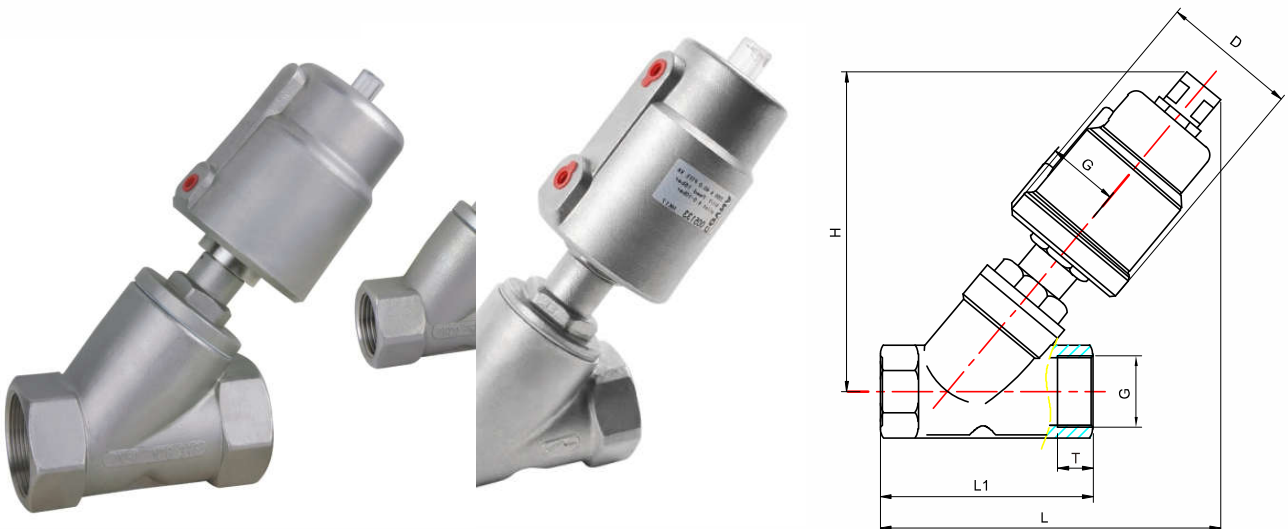
Applicable medium: water neutral gas or liquid, alcohol, oil, organic solvent, steam.

Optional accessory: Solenoid valve, limit switch box, positioner, etc.



Outline Dimensional Drawing

Size	D	L	L1	H	D	R	T	重量
DN15	1/2"	133	68	126	62	33	11	1.1
DN20	3/4"	137	75	131	62	33	14	1.2
DN25	1"	151	90	142	62	33	15	2.2
DN32	1-1/4"	188	115	175	76	42	17	2.7
DN40	1-1/2"	190	115	175	76	42	17	4.8
DN50	2"	205	135	195	76	42	20	6.8
DN65	2-1/2"							
DN80	3"							
DN100	4"							



Technical Parameters

Actuator material: Stainless Steel

Body material: 304, 316, 316L

Stem material: 304, 316, 316L

Seat material: PTFE, F46

PTFE: -30° ~180°C

F46: -30° ~220°C

Ambient temp.: -30° ~80°C

Controlling pressure: 0.3~0.8BMPa

Working pressure: 0-1.6MPa

Connection type: Flange

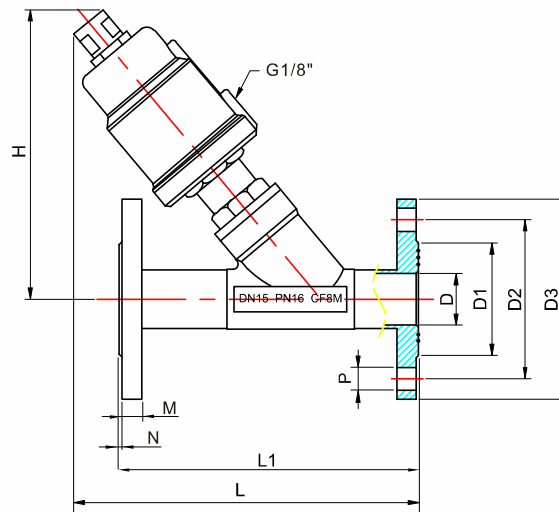
Control type: Single acting, Double acting

Applicable medium: water neutral gas or liquid,
alcohol, oil, organic solvent, steam.

Optional accessory: Solenoid valve, limit switch box, positioner, etc.



Outline Dimensional Drawing



Size	Inch	D	D1	D2	D3	M	N	L1	L	H	P	重量
DN15	1/2"	16	45	65	95	14	2	150	160	125	4-φ14	
DN20	3/4"	20	56	75	105	14	2	160	165	132	4-φ14	
DN25	1"	25	65	85	115	14	2	160	185	162	4-φ14	
DN32	1-1/4"	32	78	100	140	16	2	195	200	175	4-φ18	
DN40	1-1/2"	39	84	110	150	16	3	200	246	223	4-φ18	
DN50	2"	50	100	125	165	16	3	230	266	232	4-φ18	
DN65	2-1/2"	66	120	145	185	18	3	290	340	265	4-φ18	
DN80	3"	80	135	160	200	20	3	310	387	313	8-φ18	
DN100	4"	100	155	180	215	20	3	350	410	382	8-φ14	

Technical Parameters

Actuator material: Stainless Steel

Body material: 304, 316, 316L

Stem material: 304, 316, 316L

Seat material: PTFE, F46

Ambient temp.: -20° ~60°C

Controlling pressure: 0.3~0.8BMPa

Working pressure: 0-1.6MPa

Connection type: Flange

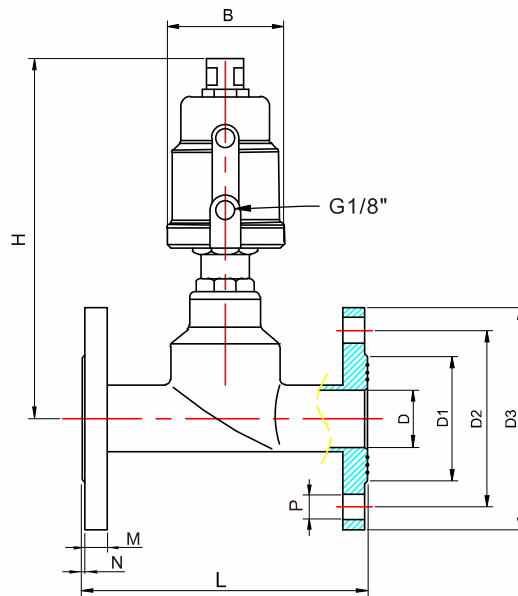
Control type: Single acting, Double acting

Applicable medium: Water, alcohol, oil, fuel Steam, neutral Gas Or Liquid, organic Solvent, acid And Lye

Optional accessory: Solenoid valve, limit switch box, positioner, etc.



Outline Dimensional Drawing



Size	Inch	D	D1	D2	D3	M	N	B	L	H	P	重量
DN15	1/2"	16	45	65	95	14	2	62	120	171	4-∅14	
DN20	3/4"	20	56	75	105	14	2	62	130	173	4-∅14	
DN25	1"	25	65	85	115	14	2	62	135	188	4-∅14	
DN32	1-1/4"	32	78	100	140	16	2	76	150	234	4-∅18	
DN40	1-1/2"	39	84	110	150	16	3	76	165	237	4-∅18	
DN50	2"	50	100	125	165	16	3	76	190	254	4-∅18	
DN65	2-1/2"	66	120	145	185	18	3				4-∅18	
DN80	3"	80	135	160	200	20	3				8-∅18	
DN100	4"	100	155	180	215	20	3				8-∅14	

Technical Parameters

Actuator material: Stainless Steel

Body material: 304, 316, 316L

Stem material: 304, 316, 316L

Seat material: PTFE, F46

Ambient temp.: -20° ~60°C

Controlling pressure: 0.3~0.8MPa

Working pressure: 0-1.6MPa

Connection type: Flange

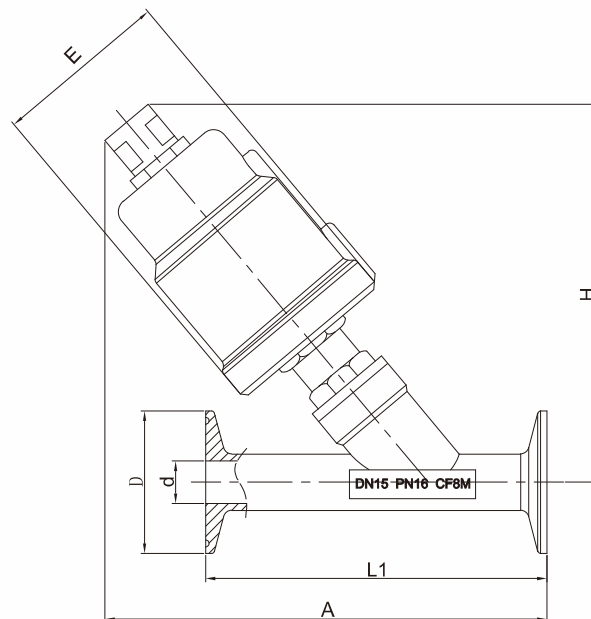
Control type: Single acting, Double acting

Applicable medium: Water, alcohol, oil, fuel Steam, neutral Gas Or Liquid, organic Solvent, acid And Lye

Optional accessory: Solenoid valve, limit switch box, positioner, etc.



Outline Dimensional Drawing



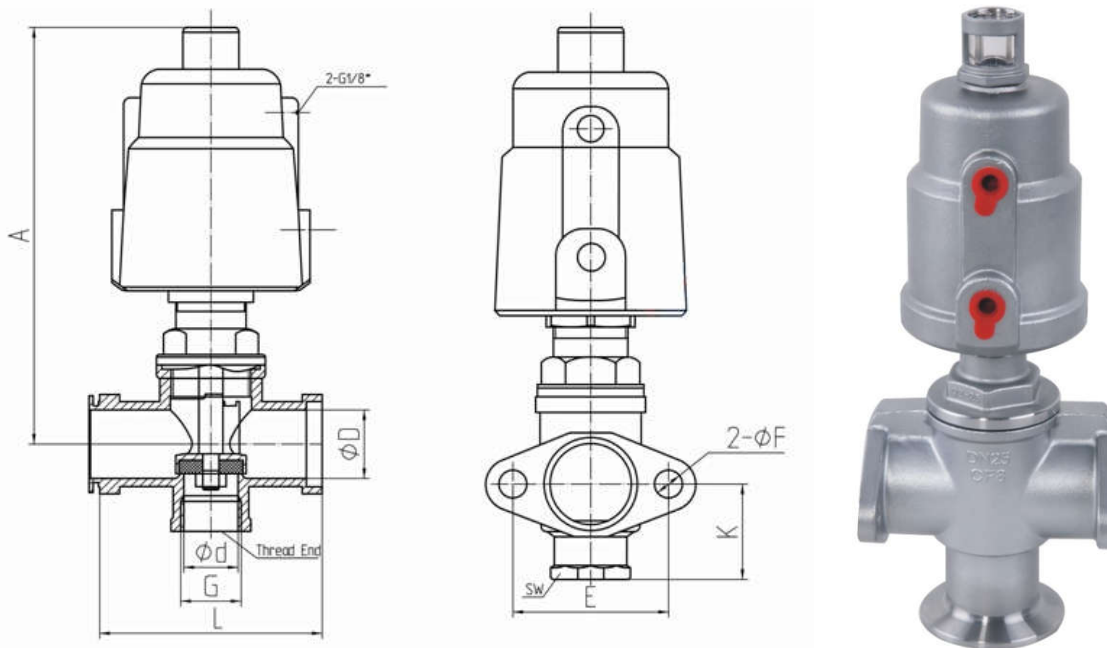
规格 Size	执行器 mm	L	D	A	H	E
15	φ 50	120	50.5	150	135	62
20	φ 50	140	50.5	163	142	62
25	φ 63	160	50.5	195	172	76
32	φ 63	175	50.5	203	175	76
40	φ 63	190	64.0	210	180	76
50	φ 80	210	77.5	245	205	96
65	φ 100	225	91.0	317	275	114
80	φ 100	255	106.0	342	290	114

Technical Parameters

- Actuator material: Stainless Steel
- Body material: 304, 316, 316L
- Stem material: 304, 316, 316L
- Seat material: PTFE, F46
- Ambient temp.: -10° ~80°C
- Controlling pressure: 0.3~0.8BMPa
- Working pressure: 0-1.6MPa
- Connection type: Flange
- Control type: Single acting, Double acting
- Applicable medium: Water, alcohol, oil, fuel Stwam, neutral Gas Or Liquid, organic Solvvent, acid And Lye
- Optional accessory: Solenoid valve, limit switch box, positioner, etc.



Outline Dimensional Drawing



口径 (mm)	A	K	L	D	d	G	SW	ΦE	2-ΦF
15	153	30	76	25	18	1/2"	27	50	8.5
25	153	46	90	32	24	1"	39	57	8.5

Technical Parameters

Actuator Material: Stainless Steel

Body Material: 304, 316, 316L

Stem Material: 304, 316, 316L

Seat Material: PTFE, F46

Fluid Temperature: $-10^{\circ}\text{C} \sim +120^{\circ}\text{C}$

Ambient Temp.: $-20^{\circ} \sim +60^{\circ}\text{C}$

Working Pressure: 0-1.6mpa

Controlling Pressure: 0.3~0.35mpa

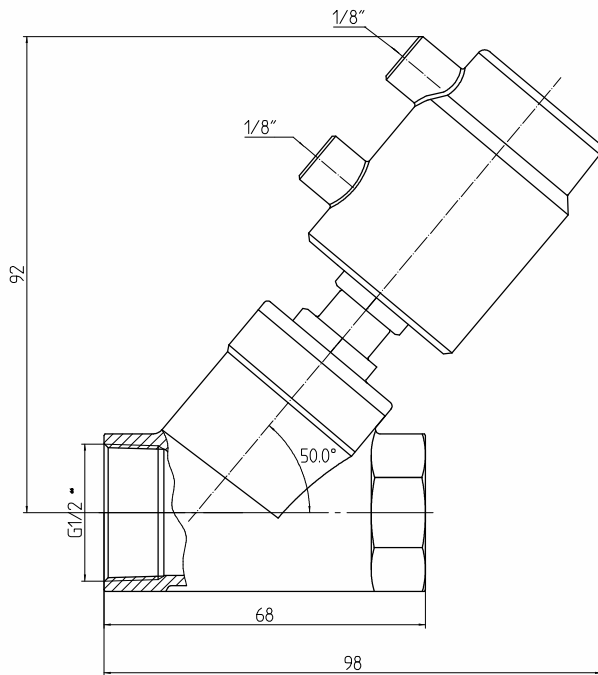
Fluid Pressure: 0-7mpa

Connection Type: Thread

Control Type: Single Acting, double Acting

Applicable Medium: Gas Or Air

Optional Accessory: Solenoid Valve, Limit Switch Box, Positioner, Etc.



Technical Parameters

Actuator Material: Stainless Steel

Body Material: 304, 316, 316L

Stem Material: 304, 316, 316L

Seat Material: PTFE, F46

Fluid Temperature: $-10^{\circ}\text{C} \sim +120^{\circ}\text{C}$

Ambient Temp.: $-20^{\circ} \sim +60^{\circ}\text{C}$

Working Pressure: 0-1.6mpa

Controlling Pressure: 0.3~0.35bmpa

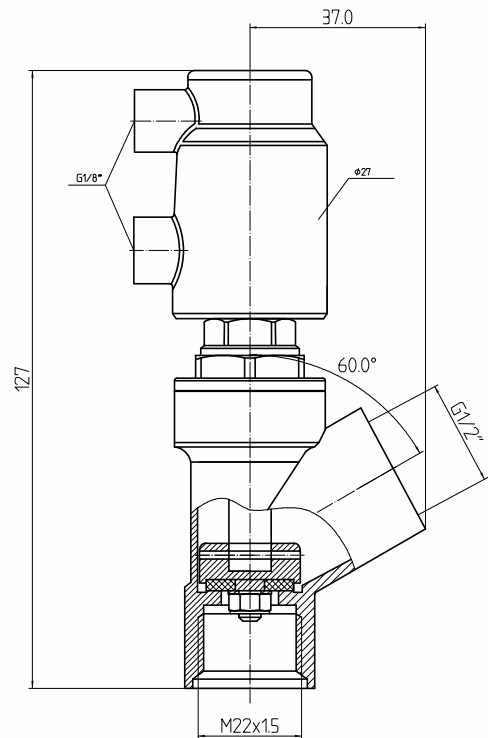
Fluid Pressure: 0-7mpa

Connection Type: Thread

Control Type: Single Acting, double Acting

Applicable Medium: Gas Or Air

Optional Accessory: Solenoid Valve, Limit Switch Box, Positioner, Etc.



Technical Parameters

Actuator Material: Stainless Steel

Body Material: 304, 316, 316L

Stem Material: 304, 316, 316L

Seat Material: PTFE, F46

Fluid Temperature: $-10^{\circ}\text{C} \sim +120^{\circ}\text{C}$

Ambient Temp.: $-20^{\circ} \sim +60^{\circ}\text{C}$

Working Pressure: 0-1.6mpa

Controlling Pressure: 0.3~0.35mpa

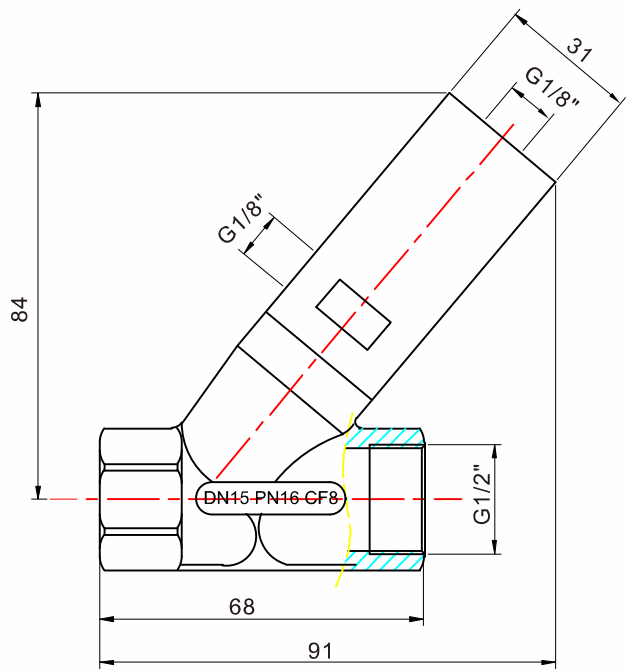
Fluid Pressure: 0-7mpa

Connection Type: Thread

Control Type: Single Acting, double Acting

Applicable Medium: Gas Or Air

Optional Accessory: Solenoid Valve, Limit Switch Box, Positioner, Etc.



Technical Parameters

Actuator Material: Stainless Steel

Body Material: 304, 316, 316L

Stem Material: 304, 316, 316L

Seat Material: PTFE,

Fluid Temperature: $-10^{\circ}\text{C} \sim +120^{\circ}\text{C}$

Ambient Temp.: $-10^{\circ} \sim +80^{\circ}\text{C}$

Controlling Pressure: 0.3~0.8mpa

Fluid Pressure: 0-1.6mpa

Connection Type: Thread

Applicable Medium: Water, Oil, Gas, Pulp, And Other Liquid-like



This Valve Is Double-positopn Flow Adjustahle Type.

Which Could Open At 50% And 100%.

When Air Come Onto The Port P2, Valve Is Close.

When The Air Come Into The Port P1 And P3, Valve Is 100% Opened.

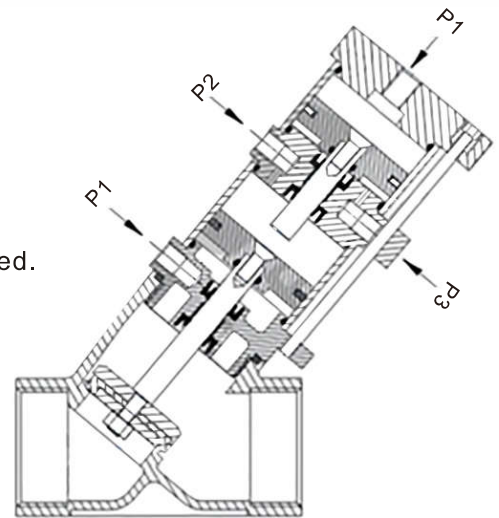
When Air Come Into Port P4, valve Is 50% Opened.

Caution:

During Working, Make Sure The Inlet.

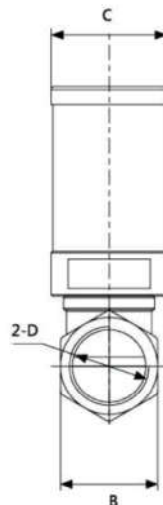
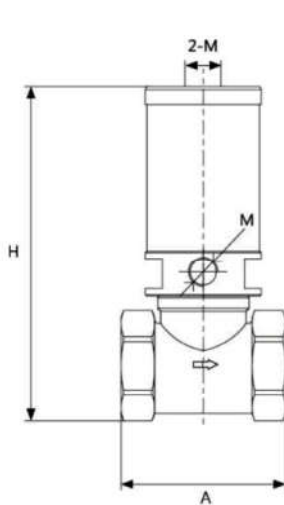
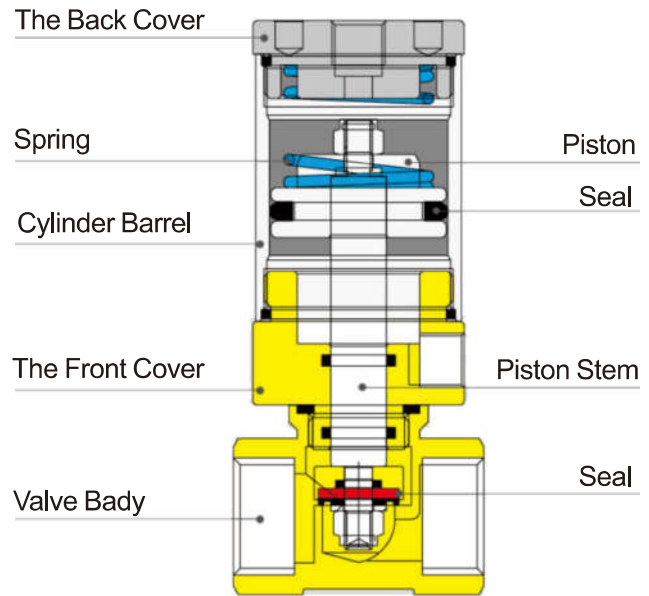
Air Pressure Of P3 And P4 Is 0.1mpa,

Higher Than P1 And P2 .otherwise. The Valve Might Not Work Well



Technical Parameters

- Actuator Material: Aluminium Alloy
- Body Material: Brass
- Stem Material: SS304
- Seat Material: PTFE
- Fluid Temperature: -20°C ~+150°C
- Ambient Temp.: -50°C~+80°C
- Working Pressure: 0-0.8Mpa
- Controlling Pressure: 0.4~0.8bMpa
- Connection Type: Thread
- Applicable Medium: Compress Air Water Oil



Model	A	B	C	2-D	H	M
Q22HD-15	45	25	37	G1/2"	89.5	G1/8"
Q22HD-20	50	31	37	G3/4"	109	G1/8"
Q22HD-25	64.5	38	37	G1"	118	G1/8"
Q22HD-40	80	53	55	G1-1/2"	162	G1/8"
Q22HD-50	99.5	65	78	G1/8"	179	G1/4"

Model	Orifice	Media	Working pressure	Control pressure	Temp range	Kv value (m3/k)
Q22HD-15	13mm	Compress Air Water Oil	0-0.8MPa	0.4-0.8MPa	-5~80°C -20~150°C(High temp)	4
Q22HD-20	16mm					5
Q22HD-25	22mm					10
Q22HD-40	35mm					25
Q22HD-50	45mm					40

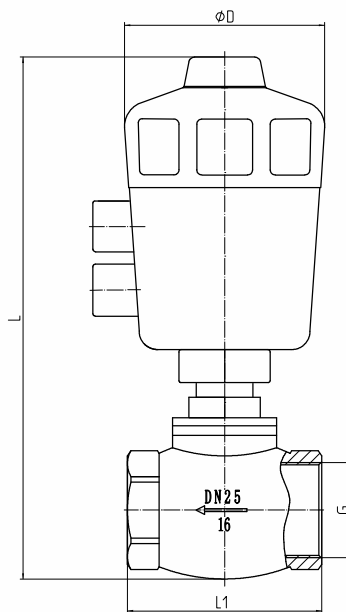
Technical Parameters

- Actuator material: PolyamidePA, stainless steel
- Body material: 304, 316, 316L
- Spool material: 304, 316, 316L
- Seat material: PTFE, F46
- Fluid temperature: -5°C~+80°C
- Ambient temperature: -5°C~+60°C
- Working pressure: 0~0.8MPa
- Controlling pressure: 0.2~0.6BMPa
- Connection type: Thread
- Control type: Single acting, Double acting
- Applicable medium: water neutral gas or liquid, alcohol, oil, organic solvent, steam.
- Optional accessory: Solenoid valve, limit switch box, positioner, etc.



Outline Dimensional Drawing

Size	G	L	L1	D	重量
DN15	1/2"	133	46	53	
DN20	3/4"	145	56	53	
DN25	1"	152	67	53	
DN32	1-1/4"	180	78	65	
DN40	1-1/2"	195	86	65	
DN50	2"	225	105	80	



Advantages :

This valve is widely used on drinks filling machinery.
 The long filling gun is specially designed for high viscosity fluid.
 Fast filling accurate and steady performance.
 Compact design could be assembled in a small space.
 No dripping during working because of special sealing design.

Technical Parameters

Spring Acting (with Spring): Fluid Pressure: 0-7bar; control Pressure: 3.8bar~4.2bar
 Double Acting (no Spring): Fluid Pressure: 0-7bar; control Pressure: 3bar~3.5bar
 Body: Stainless Steel 304, 316
 Sealing Material: PTFE
 Fluid Temperature: -10°C~+120°C
 Ambient temperature: -20°C~+60°C
 Working pressure: 1.6 MPa



Outline Dimensional Drawing

